



GÜNTHER^{GmbH}

Temperaturmesstechnik



**Product category 74-WTH
Resistance Thermometers
with Machine Connectors**

74-WTH Resistance Thermometers with Machine Connectors



Application Examples:

- Tanks and Containers
- Machine and Plant Construction
- Technological Processes
- Energy Production and Distribution
- Food and Beverage Industry

74-WTH

Resistance Thermometers with Machine Connectors

This type of resistance thermometers with threaded sockets are used for temperature measurement of liquids in regions with vibrations and challenging surrounding media up to a temperature of 200°C.

Advantages of Resistance Thermometers with Machine Connectors:

- Resistant to Vibrations
- Quick Connection of Cables and Sensors
- Constructed in High-Grade Steel (Sealed, Hygienic, etc.)

The most common application areas among others are machine construction, industrial, food and beverage systems. The electric machine connector M12x1 guarantees high-level protection (IP65) and comfortable connection of cables and sensors using a 4-pin plug.

Pt 100 2-wire measuring elements are standard implementation, tolerance class B pursuant to EN 60751. It is possible, however, to implement Pt 500, Pt 1000 or specialised sensors (also as double version). Also, a transducer may be fitted inside the connection head.



Visit us online at: www.guenther.eu



① Machine Connector

M12 without Transducer
Angled Plug pursuant to DIN EN 175301
without Transducer
Only 1xPt100 2-L Sensor:
M12 With Transducer
Angled Plug pursuant to DIN EN 175301
With Transducer

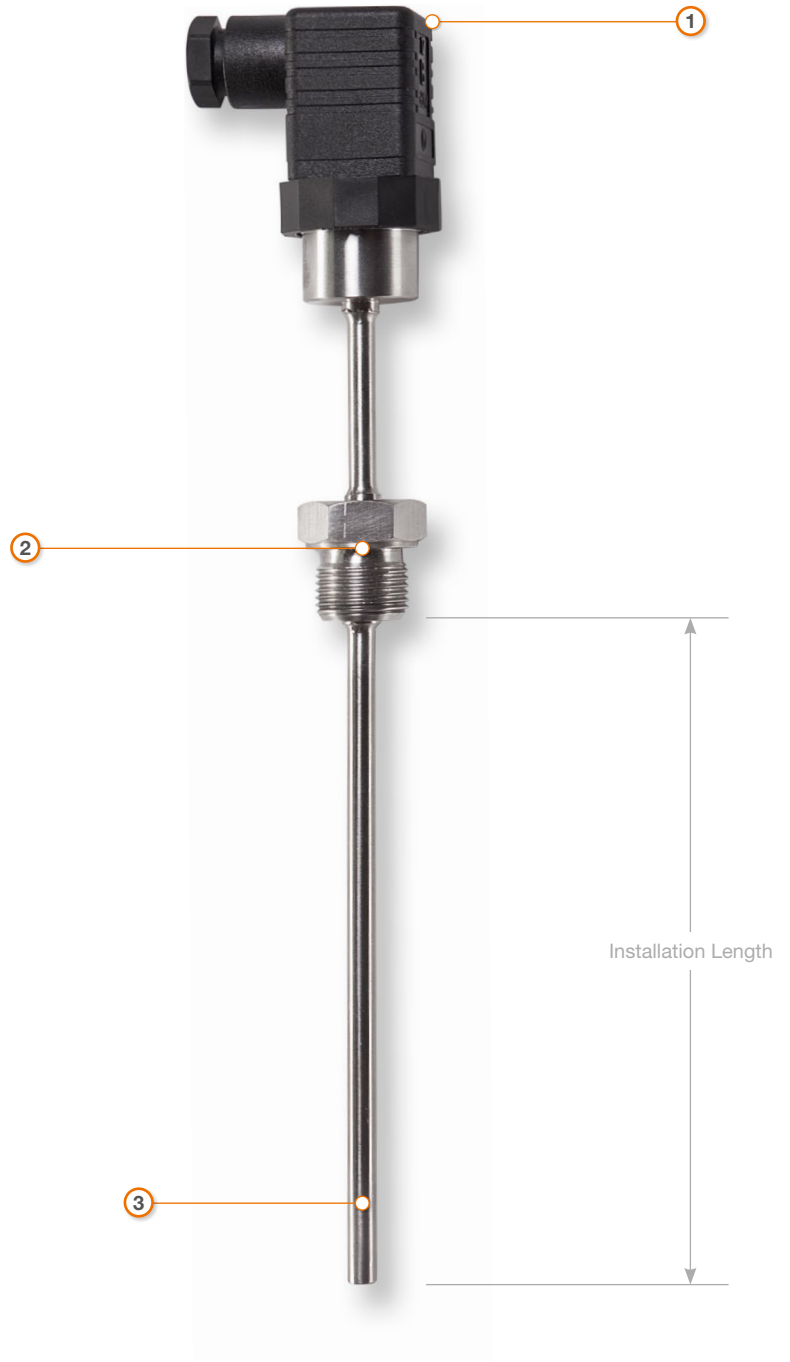
② Process Connector (Detachable)

Without
Threading G 1/2 A
Threading G 1/4 A
Threading G 3/8 A
Threading M18 x 1,5
Threading M20 x 1,5
Mantle DN 25 KF
Other

③ Gauge Slide

Pt100 Class A
Pt100 Class B
Pt100 Class B 1/3
Pt100 Class B 1/5
Pt100 Class B 1/10
Pt1000 Class A
Pt1000 Class B
Nickel (Ni 100, ...)
NTC/PTC
Connection:
1 x 2 Wire 1 x 4 Wire
1 x 3 Wire 2 x 2 Wire

Example of a common implementation in this product line



Individual Solutions such as, for example materials, process connectors, accessories, etc. not listed here, are often viable.

Please contact us for further information!